

STRAIT-LINE® Sonic Laser Tape 50

English

Thank you for purchasing this STRAIT-LINE® SONIC LASER TAPE.

If you have any questions about this product or its use, please call our toll-free customer service center at 1-800-464-7946.

To learn more about how STRAIT-LINE® Products can help you with all your home-improvement or decorating projects visit our website at www.strait-line.com.

This tool emits a laser beam, which, projects a visible spot on the target surface when the tool is used indoors.

This is a Class IIIA (U.S. version) or IIIR (Europe version) laser tool and is manufactured to comply with international safety rule IEC 285.

Technical Specifications

Recommended use	Indoor
Accuracy	±0.5% or ±1 digit
Resolution:	
In	1"
Ft-in	1"
Yards	0.01
CM	1
M	0.01
Aperture Angle	±5°
Power Supply	9V block battery (not included)
Battery Life	10,000 readings
Dimensions	6.5"/165mm x 2.44"/62mm x 1.41"/36mm
Weight	3.8oz / 108g (without battery)
Measurement Range:	
Length	1'10" to 50'0" (0.55m to 15.20m)
Area	3.44sq to 2500'sq (0.30m sq to 231.04m sq)
Volume	6.20'cu to 125000'cu (0.17m cu to 3511.81m cu)
Calculation Range:	
Inches	22" to 999999"
Feet	1'10" to 9999'11"
Yards	0.60yds to 999999yds
Centimeters	55cm to 999999cm
Meters	0.55m to 9999.99m

Operating Environment

Temperature 32°F to 104°F (0°C to 40°C)

Still air and hard target surface for accurate measurement.

NOTE: The SLT50 always measures from the base of the tool

SAFETY INSTRUCTIONS

Important

Please read all instructions prior to operating Sonic Laser Tape Measure.

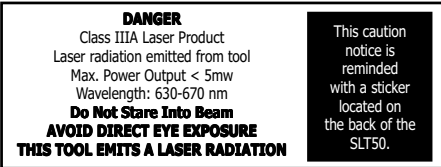
Caution

Use of controls or performance of procedures other than those specified herein may result in hazardous radiation exposure.

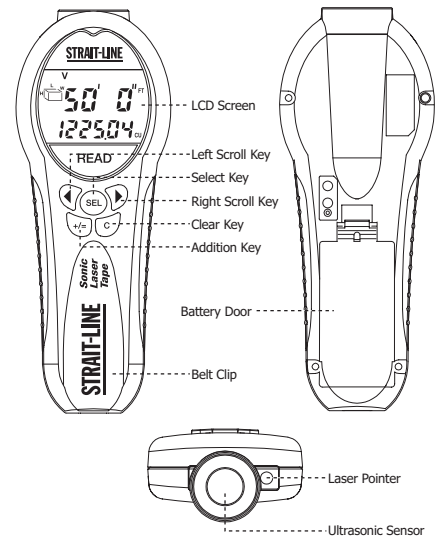
Warnings

Use of controls or performance of procedures other than those specified herein may result in hazardous radiation exposure. The power of the emission of the laser beam is less than 1mW in Class II (Europe) and less than 5mW in Class IIIA (U.S.) and Class IIIR (Europe), so the following warnings must be followed to avoid injury:

- DO NOT stare directly at the laser beam.
- DO NOT project the laser beam directly into the eyes of others / animals.
- DO NOT set up the tool at eye level or operate the tool on or near a reflective surface, as the laser beam could be projected into your eyes or the eyes of others.



HOW TO USE



Installing battery

Open battery door (see diagram for location) and insert a new 9V alkaline battery (not included). Reinstall battery door.

Turn SLT50 On

Press the READ button once. Unit will power up with the display showing the same information as the previous shutdown.

***NOTE: Unit will automatically shut down 30 seconds after last input**

To Select Mode

- The SLT50 has six modes: Length, Area, Volume, Units, Memory Store, and Memory Retrieve. Icons at the top left of the display indicate these modes.

1. Press the SEL button. The menu options will pop up with the mode you are currently in flashing. Choices are "Length", "Area", "Volume", "Units", "Memory Store", and "Memory Retrieve".
2. Press the scroll buttons (◀ or ▶) until the desired mode is flashing.
3. Press the SEL button to accept selection.

****NOTE: At any time pressing the C button 3 times will return the unit to Length mode.**

To Select Units

- The SLT50 can be set to display the measurements in five units indicated by icons on the right of the display: Inches, Feet, Yards, Centimeters, and Meters.

1. Press the SEL button.
2. Press the scroll buttons (◀ or ▶) until the Units icon (U) is flashing.
3. Press the SEL button. The unit icons on the right of the screen will all appear with the current unit setting flashing.
4. Press the scroll buttons (◀ or ▶) until the desired units are flashing.
5. Press the SEL button to set the units. The previous measurement that was displayed on the screen will be converted to the new units of measure.

To Measure Length

- Refer to the "To Select Mode" section to change to LENGTH mode. Once LENGTH mode is selected, the length (L) icon will be on the screen flashing.

1. With the base of the SLT50 held firmly against the first wall or hard surface, point the SLT50 at opposite surface. The unit must be perpendicular to the surface you are measuring to.
2. Press the READ button. You will hear a short clicking sound. The SLT50 will display the length on the screen. The reading includes the length of the tool.

To obtain another reading, press the READ button again. To store the reading in memory, refer to the section labeled "Measurement Storage". To add measurements refer to the section labeled "To Add Measurements".

To Measure Area

- Refer to the "To Select Mode" section to change to AREA mode. Once AREA mode is selected the length/width (LW) icon will be on the screen with the L flashing.

- When the SLT50 units are set to inches (IN), the SLT50 will automatically change to FT-IN mode and the resultant area will be displayed in square feet. This is indicated by a FT on the right side of the screen (see Diagram).

- When the SLT50 units are set to centimeter (CM), the SLT50 will automatically change to Meter mode and the resultant area will be displayed in square meters. This is indicated by a M on the right side of the screen (see Diagram).

1. With the base of the SLT50 held firmly against the first wall or hard surface, press the READ button to obtain the first dimension. The first measurement will be displayed on the top line of the display. The W will now be flashing.
2. With the base of the SLT50 held firmly against the second wall or hard surface, press the READ button to obtain the second measurement. Now the second measurement will be displayed on the top line of the display and the area calculation will appear on the bottom line. The LW icon will not be flashing.

To review the 2 measurements, pressing the read button repeatedly will scroll thru L and W. To obtain another area measurement, press the C button to start the Area procedure over. To store the reading in memory, refer to the section labeled "Measurement Storage". To add measurements refer to the section labeled "To Add Measurements".

To Measure Volume

- Refer to the "To Select Mode" section to change to VOLUME mode. Once VOLUME mode is selected, the length/width/height (LWH) icon will be on the screen with the L flashing.

- When the SLT50 units are set to inches (IN), the SLT50 will automatically change to FT-IN mode and the resultant area will be displayed in cubic feet. This is indicated by a FT on the right side of the screen.
- When the SLT50 units are set to centimeter (CM), the SLT50 will automatically change to Meter mode and the resultant area will be displayed in cubic meters. This is indicated by a M on the right side of the screen.

1. With the base of the SLT50 held firmly against the first wall or hard surface, press the READ button to obtain the first dimension. The first measurement will be displayed on the top line of the display. The W will now be flashing.

2. With the base of the SLT50 held firmly against the second wall or hard surface, press the READ button to obtain the second measurement. The measurement will be displayed on the top line of the display; nothing will be displayed on the bottom line. The H will now be flashing.

3. With the base of the SLT50 held firmly against the third hard surface, press the READ button to obtain the third measurement. Now the third measurement will be displayed on the top line of the display and the volume calculation will appear on the bottom line. The LWH icon will not be flashing.

To review the 3 measurements, pressing the read button repeatedly will scroll thru H, L, and W. To obtain another volume measurement, press the C button to start the procedure over. To store the reading in memory, refer to the section labeled "Measurement Storage". To add measurements refer to the section labeled "To Add Measurements".

Measurement Storage

- The value on the display will be stored in one of five memory locations.
- For Length measurements, the top line of the display is transferred to memory unless two or more lengths have been added. In this case, the total from the bottom line of the display will be put into memory.

- For Area and Volume measurements, the bottom line of the display is transferred to memory.

- The type of measurement is stored (sq for area or cu for volume) in memory.

- The measurement will be stored in the current unit mode, but will be recalculated if the unit mode is changed. For example if a measurement of 16ft is stored and the units are changed to m, the memory location will be changed to 4.9m.

1. To store a measurement in one of the five memory locations, press the SEL button while the value is displayed on the screen. The current mode will flash on the top of the screen.

2. Press the scroll buttons (◀ or ▶) until M⁵ is flashing.
3. Press the SEL button.
4. Select which memory location to store the value by pressing the scroll buttons (◀ or ▶) until the desired location is flashing.
5. Press the SEL button to chose the location. The screen will return to the previous display.

***NOTE: Memory locations cannot be cleared. When a memory location is selected, the current value will be replaced with the new one.**

Memory Retrieval

- The values stored in one of the five memory locations will be displayed on the screen.

- The value will be restored to the bottom line of the display.

1. Press the SEL button. The current mode will flash at the top of the screen.
2. Press the scroll buttons (◀ or ▶) until M⁵ is flashing.
3. Press the SEL button.
4. Select which memory location to restore by pressing the scroll buttons (◀ or ▶) until the desired location is flashing. The measurement stored in each location is shown on the screen as the locations are scrolled. The measurement will be on the bottom line of the display.
5. Press the SEL button to return to measure mode.

To add Measurements

- Measurements currently displayed on the screen can be added without entering them in memory.

- This is useful when measuring the square footage of a house. The area of each room can be added to the total one at a time.

- Different units of measure cannot be added. For example an Area cannot be added to a Volume.

1. Put the SLT50 in the desired mode and take the first measurement. For example Area mode and measure the first room.
2. When the first measurement is displayed (on the top line for Length measurements and bottom line for Area and Volume measurements), press the +/- button. A + sign is displayed on the left of the screen. The unit is ready to make the next measurement.
3. For Length mode, press the READ button once. For Area or Volume, follow the appropriate procedure to obtain the next measurement. While obtaining an Area or Volume during the addition process, pressing the C key once will start that measurement over from the beginning, but the addition will still be in progress.
4. When the measurement is obtained, press the +/- key to add the measurement to the total. The new total is displayed on the bottom line.
5. Press the +/- key to add another measurement.

To Add Measurements in Memory

- The units have to be of the same type (Length, Area, or Volume).

1. Calculate first measurement: Length, Area, or Volume.

2. With the first measurement displayed on the screen, press the +/- button. A + will be displayed on the left side of the display.

3. Press SEL button. The current mode will flash at the top of the screen.

4. Press the scroll buttons (◀ or ▶) until M⁵ is flashing.

5. Press the SEL button. The memory location icons are displayed with the first one flashing.

6. Press the scroll buttons (◀ or ▶) until the desired memory location is flashing. Only memory locations that have the same type of measurement (Length, Area, or Volume) can be used. As the locations are scrolled, the screen will display the stored measurement. The type of measurement is indicated on the screen by the units next to the measurement.

7. Press SEL to choose the measurement. The measurements will be totaled and the result displayed on the bottom line of the display.

Important Notes

Inaccurate measurement may result from the following:

- When the battery runs low (please replace the battery when the "Low Battery" icon is displayed on the screen)
- When the measured distance is out of the specified range.
- When another ultrasonic source is nearby.
- When the unit is not perpendicular to the target.

An error message "err" will be displayed under the following conditions:

- The target surface does not provide good reflection for the ultrasonic pulse (i.e. soft and irregular surface such as thick carpet, curtain, or irregular wall paper).
- The distance measured is out of the specified range (less than 1'10" or greater than 50').
- The unit is not perpendicular to the target.

Care and Handling

- The SLT50 is a precision instrument, which must be handled with care.
- Avoid shock, vibrations and extreme heat.
- Avoid dust and water. If needed, use a soft cloth and glass cleaner to clean the screen.
- Keep the laser tool dry and clean.
- Check battery regularly to avoid deterioration.
- Remove battery if the laser tool is to be stored for an extended period of time.

Warranty

Each STRAIT-LINE® tool is warranted to be free from defects in material and workmanship for a period of five years from the date of purchase.

During the warranty period, should the tool fail to operate under normal conditions and be deemed defective by the manufacturer, the manufacturer reserves the right to repair or replace the product.

This warranty does not apply to any damage resulting from, but not limited to, the following: abuse, negligence, accident, water, being dropped from more than 3 feet, any uses for which the tool is not designed, and/or if repairs have been made or attempted by others. Disassembling the laser tool will also void the warranty.

Return all parts of the broken tool to Strait-Line™

Huntersville, NC 28078-1801 USA, for a free repair or replacement if warranty applies.

BEFORE RETURNING THIS PRODUCT, PLEASE CALL 1-800-464-7946.

In Australia or New Zealand, return all parts of the broken tool to Newell Rubbermaid Pty, LTD. 44-48 Rocco Drive, Scoresby Victoria 3179, Australia, for a free repair or replacement if warranty applies.

Cinta láser sónica 50

Spanish

Gracias por comprar este Nivel Láser STRAIT-LINE®.

Si tiene alguna pregunta acerca de este producto o su uso, comuníquese con nuestra central de servicio al cliente al número gratuito 1-800-464-7946.

Para conocer en más detalle como los productos STRAIT-LINE® pueden ayudarle con sus proyectos de decoración y remodelación eu el hogar visite nuestro bágina Web www.strait-line.com.

Esta herramienta emite un rayo láser, el cual proyecta un punto visible sobre la superficie del objetivo cuando se usa bajo techo.

Esta es una herramienta láser Clase IIIA (versión EE.UU.) o Clase IIIR (versión Europa) y su fabricación cumple con la regla de seguridad internacional IEC 285.

Especificaciones técnicas

Se recomienda su uso	Bajo techo
Precisión	±0,5% ó ±1 dígito
Resolución:	
Pulgadas	1"
Pies-pulgadas	1"
Yardas	0,01
Centímetros	1
Metros	0,01
Ángulo de apertura	±5°
Suministro de energía	Batería de 9V (no incluida)
Duración de la batería	10.000 lecturas
Dimensiones	165 mm x 62 mm x 36 mm
Peso	120 g
Rango de medición:	
Longitud	0,55 m a 15,20 m
Área	0,30 m² a 231,04 m²
Volumen	0,17 m³ a 3511,81 m³
Rango de cómputo:	
Pulgadas	22" a 999999"
Pies	1'10" a 9999'11"
Yardas	0,60 yds a 999999 yds
Centímetros	55 cm a 999999 cm
Metros	0,55 m a 9999,99 m

Ambiente de operación

Temperatura 0°C a 40°C

Para una medición exacta, se requiere que el aire esté en calma y que la superficie del objetivo sea dura.

NOTA: La cinta láser sónica - SLT50 siempre mide desde la base de la herramienta

INSTRUCCIONES DE SEGURIDAD

Importante

Lea todas las instrucciones antes de operar la Cinta métrica láser sónica.

Precaución

El uso de controles o la ejecución de procedimientos diferentes a los especificados aquí pueden producir como resultado la exposición a radiaciones peligrosas.

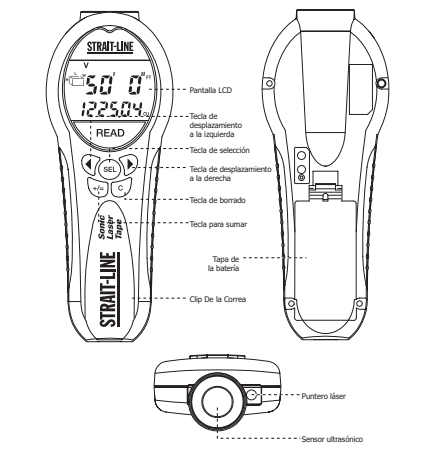
Advertencias

El uso de controles o la ejecución de procedimientos diferentes a los especificados aquí pueden producir como resultado la exposición a radiaciones peligrosas. La potencia de las emisiones del rayo láser es menor de 1mW en la Clase II (Europa) y menor de 5mW en la Clase IIIA (EE.UU.) y Clase IIIR (Europa), de tal forma que se deben respetar las siguientes advertencias para evitar lesiones:

- NO mire directamente al rayo láser.
- NO proyecte el rayo láser directamente a los ojos de otras personas o de animales.
- NO monte la herramienta al nivel de los ojos ni la opere sobre o cerca de superficies reflectivas ya que el rayo láser podría proyectarse hacia sus ojos o hacia los ojos de otras personas.



CÓMO USAR



Instalación de la batería

Abra la tapa de la batería (vea el diagrama que muestra su localización) e inserte una batería alcalina nueva de 9 V (no incluida). Instale de nuevo la tapa de la batería.

Encienda la cinta métrica SLT50

Apriete una vez el botón READ (Leer). La unidad se encenderá mostrando en la pantalla la misma información que tenía cuando se apagó la última vez.

***NOTA: La unidad se apagará automáticamente después de 30 segundos de la última entrada**

Para seleccionar el modo

- La cinta métrica SLT50 tiene seis modos: Length (Longitud), Area (Área), Volume (Volumen), Units (Unidades), Memory Store (Almacenamiento de memoria) y Memory Retrieve (Recuperación de memoria); los iconos de la parte superior izquierda de la pantalla indican estos modos.

1. Apriete el botón SEL. Las opciones del menú aparecerán y el modo actual brillará de forma intermitente. Las opciones son "Length", "Area", "Volume", "Units", "Memory Store" y "Memory Retrieve".
2. Apriete los botones de desplazamiento (◀ or ▶) hasta que el modo deseado esté brillando intermitentemente.
3. Apriete el botón SEL para aceptar la opción seleccionada.

****NOTA: Apretando 3 veces el botón C en cualquier momento se regresará al modo Longitud.**

Para seleccionar las unidades

- Se puede graduar la cinta métrica SLT50 para mostrar las mediciones en cinco unidades indicadas por los iconos a la derecha de la pantalla: pulgadas, pies, yardas, centímetros y metros.

1. Apriete el botón SEL.
2. Apriete los botones de desplazamiento (◀ or ▶) hasta que el icono de la unidades (U) esté brillando intermitentemente.
3. Apriete el botón SEL. Los iconos de las unidades a la derecha de la pantalla aparecerán todos brillando intermitentemente con la graduación actual de las unidades.
4. Apriete los botones de desplazamiento (◀ or ▶) hasta que el modo deseado esté brillando intermitentemente.
5. Apriete el botón SEL para establecer las unidades. La medición anterior que fue desplegada en la pantalla será convertida a las nuevas unidades de medición.

Para medir la Longitud

- Para cambiar al modo LENGTH (Longitud), consulte la sección "Para seleccionar el modo". Una vez se haya seleccionado el modo LENGTH, el icono de longitud (L) aparecerá en la pantalla con la L brillando intermitentemente.

1. Con la base de la cinta métrica SLT50 sostenida firmemente contra la primera pared o superficie dura, apúntela hacia la superficie opuesta. La unidad debe estar perpendicular a la superficie sobre la cual usted está midiendo.
2. Apriete el botón READ. Usted escuchará un breve sonido de chasqueo. La cinta métrica SLT50 mostrará la longitud en la pantalla. La lectura incluye la longitud de la herramienta.

Para obtener otra lectura, apriete de nuevo el botón READ. Para almacenar la lectura en la memoria, consulte la sección denominada "Almacenamiento de mediciones". Para sumar mediciones, consulte la sección denominada "Sumar mediciones".

Para medir el Área

- Para cambiar al modo AREA (Área), consulte a sección "Para seleccionar el modo". Una vez se haya seleccionado el modo AREA, el icono de longitud/ancho (LW) aparecerá en la pantalla con la L brillando intermitentemente.

- Cuando las unidades de la cinta métrica SLT50 estén ajustadas a pulgadas (IN), la SLT50 cambiará automáticamente al modo FT-IN y el área resultante se mostrará en pies cuadrados. Esto se indica por medio de las letras FT al lado derecho de la pantalla (vea diagrama).

- Cuando las unidades de la cinta métrica SLT50 estén ajustadas a centímetros (CM), la SLT50 cambiará automáticamente al modo Meter (Metro) y el área resultante se mostrará en metros cuadrados. Esto se indica por medio de la letra M al lado derecho de la pantalla (vea diagrama).

1. Con la base de la cinta métrica SLT50 sostenida firmemente contra la primera pared o superficie dura, apriete el botón READ para obtener la primera dimensión. La primera medición se mostrará en la línea superior de la pantalla. La W estará ahora brillando intermitentemente.
2. Con la base de la cinta métrica SLT50 sostenida firmemente contra la segunda pared o superficie dura, apriete el botón READ para obtener la segunda medición. Ahora se mostrará la segunda dimensión en la línea superior de la pantalla y el cálculo del área aparecerá en la línea inferior. El icono LW estará ahora brillando intermitentemente.

Presionando el botón de lectura repetidamente se desplazará a través de L y W para revisar las dos mediciones. Para obtener otra medición del Área, apriete el botón C para volver a iniciar el procedimiento de medición de área. Para almacenar la lectura en la memoria, consulte la sección denominada "Almacenamiento de mediciones". Para sumar mediciones, consulte la sección denominada "Sumar mediciones".

